



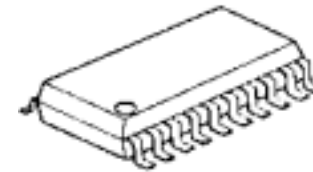
NJM2551

100MHz Input Mixer & 450kHz FM/AM IF Demodulator IC

■ GENERAL DESCRIPTION

The NJM2551 is a FM IF demodulator IC with 450MHz (standard) IF input, which operates from 1.8V supply. It includes an oscillator, mixer, limiting amplifier, and FM/AM detectors.

■ PACKAGE OUTLINE

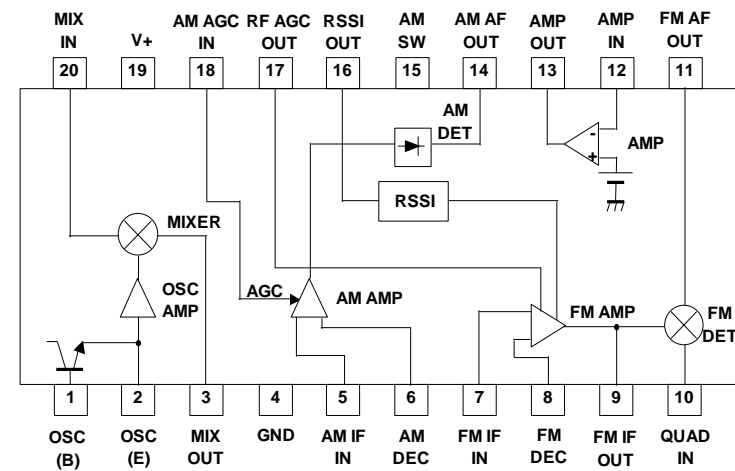


NJM2551V

■ FEATURES

- Low Operating Voltage **1.8V to 9.0V**
- Low Operating Current **FM 2.5mA at V⁺=2V**
AM 4.0mA at V⁺=2V
- Operating Frequency **Up to 100MHz**
(reference value)
- IF Input Frequency **450kHz (standard)**
- Bipolar Technology
- Package Outline **SSOP20**

■ BLOCK DIAGRAM



New Japan Radio Co., Ltd.

May 10, 2004 NJR Corporation ver1